

DS-2CD2023G2-IU**2 MP AcuSense Fixed Bullet Network Camera**

Empowered by deep learning algorithms, Hikvision AcuSense technology brings human and vehicle targets classification alarms to front- and back-end devices. The system focuses on human and vehicle targets, vastly improving alarm efficiency and effectiveness.

- High quality imaging with 2 MP resolution
- Clear imaging against strong backlight due to 120 dB WDR technology
- Efficient H.265+ compression technology
- -U: Built-in microphone for real-time audio security
- Focus on human and vehicle targets classification based on deep learning
- Water and dust resistant (IP67)

▪ Specification

Model		DS-2CD2023G2-IU
Camera	Image Sensor	1/2.8" Progressive Scan CMOS
	Max. Resolution	1920 × 1080
	Min. Illumination	Color: 0.005 Lux @ (F1.6, AGC ON), B/W: 0 Lux with IR
	Shutter Time	1/3 s to 1/100,000 s
	Day & Night	IR cut filter
	Angle Adjustment	Pan: 0° to 360°, tilt: 0° to 90°, rotate: 0° to 360°
Lens	Lens Type	Fixed focal lens, 2.8, 4, and 6 mm optional
	Focal Length & FOV	2.8 mm, horizontal FOV 107°, vertical FOV 57°, diagonal FOV 127° 4 mm, horizontal FOV 87°, vertical FOV 46°, diagonal FOV 104° 6 mm, horizontal FOV 54°, vertical FOV 29°, diagonal FOV 63°
	Lens Mount	M12
	Iris Type	Fixed
	Aperture	F1.6
	Depth of Field	2.8 mm: 1 m to ∞ 4 mm: 1.2 m to ∞ 6 mm: 2.8 m to ∞
DORI	DORI	2.8 mm: D: 44 m, O: 17 m, R: 9 m, I: 4 m 4 mm: D: 54 m, O: 21 m, R: 11 m, I: 5 m 6 mm: D: 88 m, O: 35 m, R: 18 m, I: 9 m
Illuminator	Supplement Light Type	IR
	Supplement Light Range	Up to 40 m
	Smart Supplement Light	Yes
	IR Wavelength	850 nm
Video	Main Stream	50 Hz: 25 fps (1920 × 1080, 1280 × 720) 60 Hz: 30 fps (1920 × 1080, 1280 × 720)
	Sub-Stream	50 Hz: 25 fps (640 × 480, 640 × 360) 60 Hz: 30 fps (640 × 480, 640 × 360)
	Third Stream	50 Hz: 10 fps (1920 × 1080, 1280 × 720, 640 × 480, 640 × 360) 60 Hz: 10 fps (1920 × 1080, 1280 × 720, 640 × 480, 640 × 360), *Third stream is supported under certain settings.
	Video Compression	Main stream: H.265/H.264/H.264+/H.265+ Sub-stream: H.265/H.264/MJPEG Third stream: H.265/H.264
	Video Bit Rate	32 Kbps to 8 Mbps
	H.264 Type	Baseline Profile, Main Profile, High Profile
	H.265 Type	Main Profile

	Bit Rate Control	CBR,VBR
	Scalable Video Coding (SVC)	H.264 and H.265 encoding
	Region of Interest (ROI)	1 fixed region(s) for main stream and sub-stream
Audio	Audio Compression	-U: G.711/G.722.1/G.726/MP2L2/PCM/MP3/AAC-LC
	Audio Bit Rate	-U: 64 Kbps (G.711ulaw/G.711alaw)/16 Kbps (G.722.1)/16 Kbps (G.726)/32 to 192 Kbps (MP2L2)/8 to 320 Kbps (MP3)/16 to 64 Kbps (AAC-LC)
	Audio Sampling Rate	-U: 8 kHz/16 kHz/32 kHz/44.1 kHz/48 kHz
	Environment Noise Filtering	-U: Yes
Network	Protocols	TCP/IP, ICMP, HTTP, HTTPS, FTP, DHCP, DNS, DDNS, RTP, RTSP, NTP, UPnP, SMTP, IGMP, 802.1X, QoS, IPv6, UDP, Bonjour, SSL/TLS, PPPoE, SNMP, WebSocket, WebSockets
	Simultaneous Live View	Up to 6 channels
	API	ONVIF (ProfileS, ProfileG, ProfileT), ISAPI, SDK, ISUP
	User/Host	Up to 32 users 3 user levels: administrator, operator, and user
	Security	Password protection, complicated password, HTTPS encryption, 802.1X authentication (EAP-TLS, EAP-LEAP, EAP-MD5), watermark, IP address filter, basic and digest authentication for HTTP/HTTPS, WSSE and digest authentication for Open Network Video Interface, RTP/RTSP over HTTPS, control timeout settings, security audit log, TLS 1.3, host authentication (MAC address)
	Network Storage	NAS (NFS, SMB/CIFS),Auto Network Replenishment (ANR), Together with high-end Hikvision memory card, memory card encryption and health detection are supported.
	Client	iVMS-4200,Hik-Connect,Hik-Central
	Web Browser	Plug-in required live view: IE 10, IE 11, Plug-in free live view: Chrome 57.0+, Firefox 52.0+
Image	Image Parameters Switch	Yes
	Image Settings	Rotate mode,saturation,brightness,contrast,sharpness,gain,white balance,adjustable by client software or web browser
	Day/Night Switch	Day,Night,Auto,Schedule
	Wide Dynamic Range (WDR)	120 dB
	SNR	≥ 52 dB
	Image Enhancement	BLC,HLC,3D DNR
	Privacy Mask	Yes
Interface	Ethernet	1 RJ45 10 M/100 M self-adaptive Ethernet port

	Interface	
	On-Board Storage	Built-in memory card slot, support microSD card, up to 512 GB
	Built-in Microphone	-U: Yes
	Reset Key	Yes
Event	Basic Event	Motion detection (support alarm triggering by specified target types (human and vehicle)), video tampering alarm, exception
	Smart Event	Face detection
	Linkage	Upload to FTP/NAS/memory card, notify surveillance center, send email, trigger recording, trigger capture
Deep Learning Function	Perimeter Protection	Line crossing, intrusion Support alarm triggering by specified target types (human and vehicle)
General	Power	12 VDC \pm 25%, 0.5 A, max. 6 W, \varnothing 5.5 mm coaxial power plug, reverse polarity protection, PoE: IEEE 802.3af, Class 3, 36 V to 57 V, 0.2 A to 0.13 A, max. 7 W
	Material	Metal
	Dimension	\varnothing 74.4 mm \times 179.2 mm (\varnothing 2.9" \times 7.1")
	Package Dimension	216 mm \times 121 mm \times 118 mm (8.5" \times 4.8" \times 4.6")
	Weight	Approx. 500 g (1.1 lb.)
	With Package Weight	Approx. 750 g (1.7 lb.)
	Storage Conditions	-30 $^{\circ}$ C to 60 $^{\circ}$ C (-22 $^{\circ}$ F to 140 $^{\circ}$ F). Humidity 95% or less (non-condensing)
	Startup and Operating Conditions	-30 $^{\circ}$ C to 60 $^{\circ}$ C (-22 $^{\circ}$ F to 140 $^{\circ}$ F). Humidity 95% or less (non-condensing)
	Language	33 languages English, Russian, Estonian, Bulgarian, Hungarian, Greek, German, Italian, Czech, Slovak, French, Polish, Dutch, Portuguese, Spanish, Romanian, Danish, Swedish, Norwegian, Finnish, Croatian, Slovenian, Serbian, Turkish, Korean, Traditional Chinese, Thai, Vietnamese, Japanese, Latvian, Lithuanian, Portuguese (Brazil), Ukrainian
	General Function	Anti-flicker, heartbeat, mirror, password reset via email, password protection, one-key reset
Approval	EMC	FCC: 47 CFR Part 15, Subpart B, CE-EMC: EN 55032: 2015, EN 61000-3-2:2019, EN 61000-3-3: 2013+A1:2019, EN 50130-4: 2011+A1: 2014, IC: ICES-003: Issue 7, KC: KN32: 2015, KN35: 2015
	Safety	UL: UL 62368-1, CB: IEC 62368-1: 2014+A11, CE-LVD: EN 62368-1: 2014/A11: 2017, BIS: IS 13252 (Part 1): 2010/IEC 60950-1: 2005
	Environment	CE-RoHS: 2011/65/EU,

	WEEE: 2012/19/EU, Reach: Regulation (EC) No 1907/2006
Protection	IP67: IEC 60529-2013

▪ Typical Application

Hikvision products are classified into three levels according to their anti-corrosion performance. Refer to the following description to choose for your using environment.

This model has NO SPECIFIC PROTECTION.

Level	Description
Top-level protection	Hikvision products at this level are equipped for use in areas where professional anti-corrosion protection is a must. Typical application scenarios include coastlines, docks, chemical plants, and more.
Moderate protection	Hikvision products at this level are equipped for use in areas with moderate anti-corrosion demands. Typical application scenarios include coastal areas about 2 kilometers (1.24 miles) away from coastlines, as well as areas affected by acid rain.
No specific protection	Hikvision products at this level are equipped for use in areas where no specific anti-corrosion protection is needed.

▪ Available Model

DS-2CD2023G2-IU(2.8mm)

DS-2CD2023G2-IU(6mm)

DS-2CD2023G2-IU(4mm)

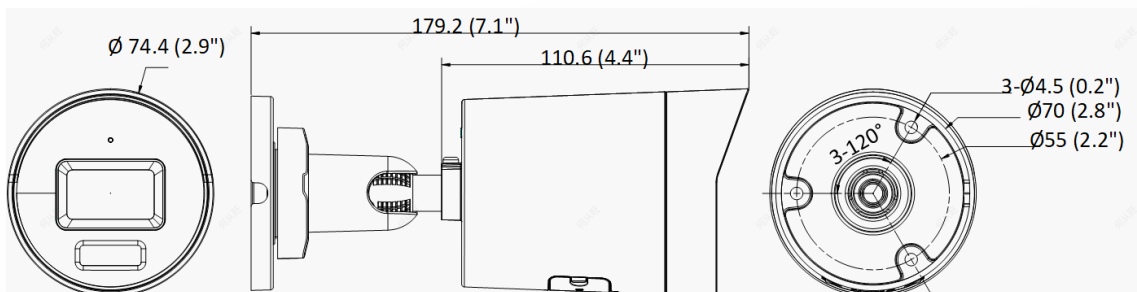
DS-2CD2023G2-IU(4mm)(Made in IND)SKD

DS-2CD2023G2-IU(4mm)(RU CH)

DS-2CD2023G2-IU(4mm)(India-L)/D

DS-2CD2023G2-IU(2.8mm)(RU CH)

▪ Dimension

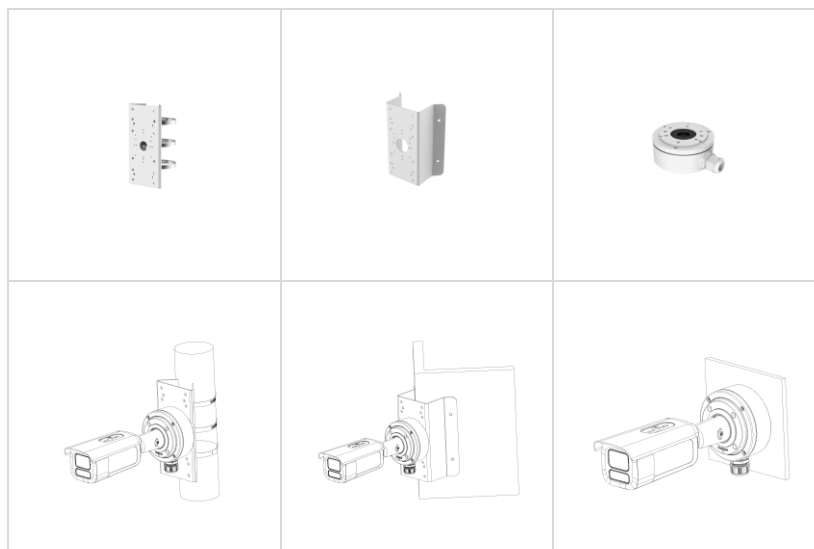


Unit: mm (inch)

▪ Accessory

▪ Optional

DS-1275ZJ-SUS Vertical pole mount	DS-1276ZJ-SUS Corner mount	DS-1280ZJ-XS Junction box
--------------------------------------	-------------------------------	------------------------------



See Far, Go Further



www.hikvision.com
support@hikvision.com

