

DS-MCW406**Linux Economical Wi-Fi Body Camera**

- 2688*1520 2K HD recording
- IR function to recognize the facial features in the captured picture even in dim environment
- Realtime status transmitted to central platform via Wi-Fi connection.
- Small size, light weight, and convenient to carry.

▪ Specification

CPU	
CPU	Single core, 32 bit, Main frequency: 0.96 GHz
Camera	
Image Sensor	1/3" progressive scan CMOS
Max. Resolution	2688 × 1520
Min. Illumination	Color: 0.07 Lux@ (F2.0, AGC ON), 0 Lux with supplement light
Day & Night	Switch IR Cut Filter Automatically
Zoom	4x Digital
Lens	
Focal Length	2.4 mm fixed lens
FOV	Horizontal FOV: 129° Vertical FOV: 70° Diagonal FOV: 140°
Aperture	F2.0
Video	
Video Format	PS, MP4
Sub Stream	30 fps (1280 × 720, 720 × 576)
Pre-record & Post- record	Pre-record: 10 s; Post-record: 60 s
Video Compression	H.264, H.265
Main Stream	60 Hz: 30 fps (2688 × 1520, 1920 × 1080, 1280 × 720, 720 × 576)
Audio	
Audio Compression for Video Recording	G722_1,AAC
Audio Compression for Audio Recording	PCM
Audio Compression for Group Intercom	G711_A,G711_MU,G722_1
Audio Bit Rate	G711_A(64 kbps) ,G711_MU(64 kbps),G722_1(16 kbps) ,AAC(64 kbps),PCM(128 kbps)
Image	
Image Format	JPEG
Image Resolution	5 MP, 16 MP, 30 MP, 40 MP
Image Stabilization Algorithm	
Image Stabilization Algorithm	Not supported
Screen	
Screen Size	1.77"
Display Resolution	128 × 160
Screen Brightness	Typical value: 400 cd/m ²
Touchscreen	Not supported

Storage	
RAM	128 MB
ROM	Default 64 GB, 128/256 GB optional
IR	
IR Range	Up to 10 m
IR Wavelength	850 nm
Wireless Network	
Wi-Fi Frequency Band	2.412 to 2.472 GHz
Bluetooth	Not supported
Wi-Fi Protocol	802.11 a/b/g/n
Positioning Mode	GPS
NFC	Not supported
Network	
Protocol	HTTPS, RTSP, NTP, FTP
API	ONVIF (PROFILE S, PROFILE G, PROFILE T), ISAPI, SDK, ISUP
Security	
Watermark	Supported
Interface	
Audio Type	1 built-in mic(s), 1 speaker(s)
USB	USB 2.0
Indicator	2 Indicator(s) for Charging/Working/Recording/Exception
Charging Interface	Type-C
Button	Power, Recording, Audio recording, Picture capture, Menu, Up, Down, Enter
Smart Functions	
Smart Functions	Not supported
Group Intercom	
Group Intercom	Not supported
General	
Operating Condition	-20 °C to 55 °C (-4 °F to 131 °F). Humidity 95% or less (non-condensing)
Power	5 VDC, 2.0 A, max. 10 W
Dimension	85 mm × 59 mm × 30 mm (3.4" × 2.3" × 1.2")
Weight	125 g (without mounting) (0.27 lb.)
Operating System	Linux
Client	Hik-Connect, HikCentral Pro, HikCentral Master Lite
MIC	Supported
Speaker	1 Built-in speaker, Max. power consumption: 1 W, Max. sound pressure level: 87dB (10 cm)
Vibration Motor	Not supported
Gyroscope	Not supported
Battery	
Battery Type	Lithium-ion battery, integral
Capacity	2500 mAh
Charging Time	≤ 3 h
Battery Duration	Up to 12 h in 720p resolution ¹

Approval	
RF	EN 300 328 V2.1.1(BT or 2.4G); EN 62311:2008(BT or 2.4G);
EMC	CE-EMC: EN 55032: 2015, EN 61000-3-2: 2019, EN 61000-3-3: 2013, EN 50130-4: 2011 +A1: 2014
Safety	CB: IEC 62368-1: 2014+A11, IEC 62368-1: 2018 CE-LVD: EN 62368-1: 2014/A11: 2017, EN IEC 62368-1: 2020+A11: 2020 CE-LVD: EN 62368-1: 2014/A11: 2017
Environment	CE-RoHS: 2011/65/EU, WEEE: 2012/19/EU, Reach: Regulation (EC) No 1907/2006
Protection	IP67: IEC 60529-2013
Drop Test	
Drop Test	MIL-STD-810G, 2 m drop test
Warranty	
Warranty	2 years for the device without battery, 1 year for the battery

1: This is a basic estimation of battery working life only when recording is on. Additional power consumption should be considered when IR, GPS, and/or network connection is on.

▪ Available Model

DS-MCW406/64G/GPS/WIFI

DS-MCW406/64G

DS-MCW406/64G/GPS/WIFI/NS

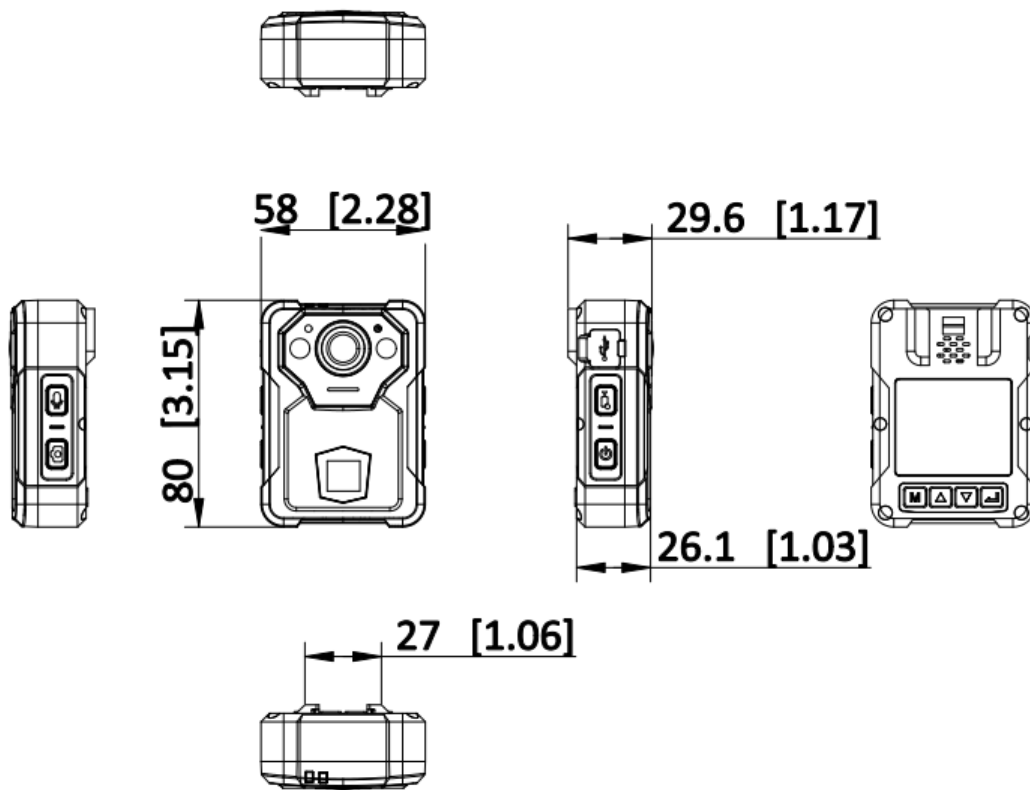
DS-MCW406/64G(India)

DS-MCW406/128G(SYSCOM)

DS-MCW406/64G/GPS/NS(SYSCOM)

DS-MCW406/128G/GPS/WIFI(LA-STD)

▪ Dimension



Unit: mm [inch]

SCALE	1:1
-------	-----

▪ Accessory

▪ Optional

DS-MH1710-N1	DS-MH1721	DS-MH1717	DS-MH1712	DS-MH1716
				
DS-MH1715	DS-MH1711	DS-MH1710-N1-M G	DS-MH1710-N1-S	DS-MH1310-M1



See Far, Go Further



www.hikvision.com
support@hikvision.com

