

4MP HD 4G ColorHunter Fixed Bullet Network Camera IPC2A14LP-ADF40(60)KC-4G-E



Features

- High quality image with 4 MP, 1/3.0" CMOS sensor
- 4 MP (2560 × 1440)@30/25 fps; 3 MP (2304 × 1296)@30/25 fps; 1080P (1920 × 1080)@30/25 fps
- Supports 4G access to the network
- Alarm I/O: 1/1
- Audio I/O: 1/1
- Built-in mic and speaker
- Smart IR, up to 50 m (164.0 ft.) IR distance
- White light, up to 30 m (98.4 ft.) white light distance
- MicroSD, up to 512 GB
- IP67 protection

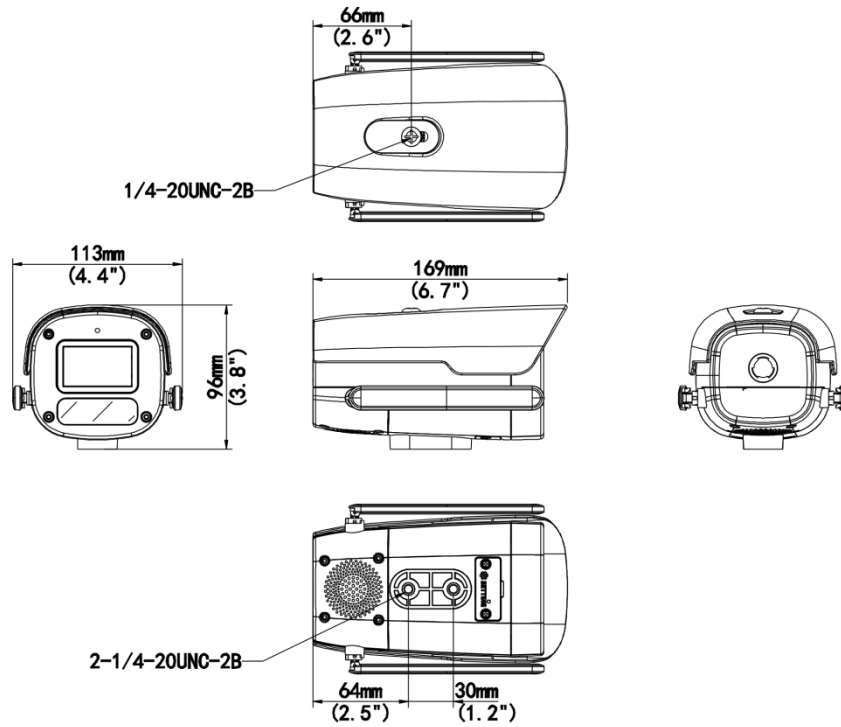
Specifications

Model	IPC2A14LP-ADF40KC-4G-E	IPC2A14LP-ADF60KC-4G-E
Camera		
Max Resolution	4 MP	
Sensor	1/3.0" CMOS	
Min. Illumination	Color: 0.003 Lux (F1.6, AGC ON), 0 Lux with light	
Day/Night	IR-cut filter with auto switch (ICR)	
Shutter	Auto/Manual, 1 ~ 1/100000s	
S/N	>52 dB	
WDR	120 dB	
Lens		
Focal Length	4.0 mm	6.0 mm
Iris Type	Fixed	
Iris	F1.6	
Field of View (H)	79.0°	49.6°
Field of View (V)	42.3°	26.2°
Field of View (D)	85.1°	56.7°
DORI		
DORI Distance (Lens)	4 mm	6 mm
DORI Distance (Detect)	63.0 m (206.7 ft.)	90.0 m (295.3 ft.)
DORI Distance (Observe)	25.2 m (82.7 ft.)	36.0 m (118.1 ft.)
DORI Distance (Recognize)	12.6 m (41.3 ft.)	18.0 m (59.1 ft.)
DORI Distance (Identify)	6.3 m (20.7 ft.)	9.0 m (29.5 ft.)
Illuminator		
Supplemental Light	Dual light	
Illumination Distance (Warm Light)	30 m (98.4 ft.)	
Illumination Distance (IR)	50 m (164.0 ft.)	
Wavelength	850 nm	
IR On/Off Control	Auto/Manual	
Video		
Video Compression	Ultra 265, H.265, H.264, MJPEG	
H.264 Code Profile	Baseline profile, Main profile, High profile	
Frame Rate	Main Stream: 4 MP (2560 × 1440), max. 30 fps; 3 MP (2304 × 1296), max. 30 fps; 1080P (1920 × 1080), max. 30 fps; 720P (1280 × 720), max. 30 fps Sub Stream: 720P (1280 × 720), max. 30 fps; D1 (720 × 576), max. 30 fps; 640 × 360, max. 30 fps;	
Video Bit Rate	128 Kbps to 2048 Kbps	
U-code	Support	
OSD	Up to 8 OSDs	
Privacy Mask	Up to 4 areas	
ROI	Support	
Video Stream	Dual streams	

Image		
White Balance	Auto, Outdoor, Fine tune, Sodium lamp, Locked, Auto2	
Digital Noise Reduction	2D/3D DNR	
Smart IR	Support	
Flip	Normal, Flip vertical, Flip horizontal, 180°, 90° Clockwise, 90° Anti-clockwise	
Dewarping	N/A	
HLC	Support	
BLC	Support	
Defog	Digital defog	
Intelligent		
Smart Intrusion Prevention	Cross line detection, intrusion detection, enter area detection, leave area detection (support false alarm filtering and the classification of human, non-motor vehicle and vehicle)	
Events		
Basic Detection	Motion detection, Ultra motion detection, Tampering alarm, Audio detection	
General Function	Watermark IP address filtering Access policy ARP protection RTSP authentication User authentication HTTP authentication Alarm input Alarm output	Watermark IP address filtering Access policy ARP protection RTSP authentication User authentication
Audio		
Audio Compression	G.711U, G.711A	
Audio Bitrate	64 Kbps	
Two-way Audio	Support	
Suppression	Support	
Sampling Rate	8 kHz	
Network		
4G Network Frequency	LTE-TDD: Band 38/40/41 LTE-FDD: Band 1/3/5/7/8/20/28 WCDMA: Band 1/5/8	
4G Network Standard	LTE-TDD, LTE-FDD, GSM, EGSM, DCS, PCS	
4G Card Type	Nano-SIM	
Protocols	IPv4, IPv6, IGMP, ICMP, ARP, TCP, UDP, DHCP, PPPoE, RTP, RTSP, RTCP, RTMP, DNS, DDNS, NTP, FTP, UPnP, HTTP, HTTPS, QoS, SMTP, 802.1x, SSL/TLS, SNMP	
Compatible Integration	ONVIF (Profile S, Profile G, Profile T), API, SDK	
User/Host	Up to 32 users. 3 user levels: administrator, common user and operator	
Security	Password Protection, Strong Password, HTTPS Encryption, Export Operation Logs, Basic and Digest Authentication for RTSP, Digest Authentication for HTTP, TLS 1.2, WSSE and Digest Authentication for ONVIF	
Client	EZStation, APP	
Web Browser	Plug-in required live view: IE 10+, Chrome 45+, Firefox 52+, Edge 79+, Plug-in free live view: Chrome 57+, Firefox 58+, Edge 16+	
Storage		
Edge Storage	MicroSD, up to 512 GB	
Network Storage	ANR	ANR NAS (NFS)

Interface	
Audio I/O	1 Input: impedance 35 kΩ, amplitude 2 V [p-p], 1 Output: impedance 600 Ω, amplitude 2 V [p-p]
Alarm I/O	1/1
Serial Port	N/A
Built-in Mic	Support
Built-in Speaker	Support
WIFI	N/A
Network	1 × RJ45 10 M/100 M Base-TX Ethernet
Video Output	N/A
Certification	
Protection	IP67 (IEC 60529)
General	
Power	DC 12 V±25%
Power Consumption	Max. 6.8 W
Power Interface	Ø5.5 mm coaxial power plug
Dimensions	169 mm × 113 mm × 96 mm (6.7" × 4.4" × 3.8") (L × W × H)
Weight	0.47 kg (1.04 lb.)
Material	Graphene + Metal
Working Environment	-30 °C to 60 °C (-22 °F to 140 °F), Humidity: ≤ 95% RH (non-condensing)
Storage Environment	-30 °C to 60 °C (-22 °F to 140 °F), Humidity: ≤ 95% RH (non-condensing)
Surge Protection	4 KV
Reset Button	Support
Web Client Language	13 Languages: English, Simplified Chinese, Polish, German, Russian, French, Korean, Dutch, Czech, Portuguese, Spanish, Spanish (Europe), Italian

Dimensions



Accessories

TR-WM06-C-IN

Wall Mounting Bracket for 6-inch Bullet Camera



TR-UP06-B-IN

Bullet Pole Mounting Bracket



TR-WM07P-A

Bullet Wall Mounting Plastic Bracket



TR-UM06-A-IN

Bullet Camera Desktop Bracket



TR-CM08P-A

Bullet Pendant Mounting Plastic Bracket



Unlimited New View

Zhejiang Uniview Technologies Co., Ltd.



<http://www.uniview.com>



overseasbusiness@uniview.com; globalsupport@uniview.com



No. 369, Xietong Road, Xixing Sub-district, Binjiang District, Hangzhou City, 310051, Zhejiang Province, China



©2023-2025 Zhejiang Uniview Technologies Co., Ltd. All rights reserved.

*Product specifications and availability are subject to change without notice.

*Despite our best efforts, technical or typographical errors may exist in this document.

Uniview cannot be held responsible for any such errors and reserves the right to change the contents of this document without prior notice.