

# XVR301-Q Series



## Key Features

- Support H.265/H.264 video formats
- Support audio over coaxial cable
- Support TVI, AHD, CVI, CVBS, IP cameras with adaptive access
- 4/8-channel BNC input
- Support 1-ch HDMI output, 1-ch VGA output, HDMI at up to 4K(3840 x 2160) resolution
- Long transmission distance over coaxial cable

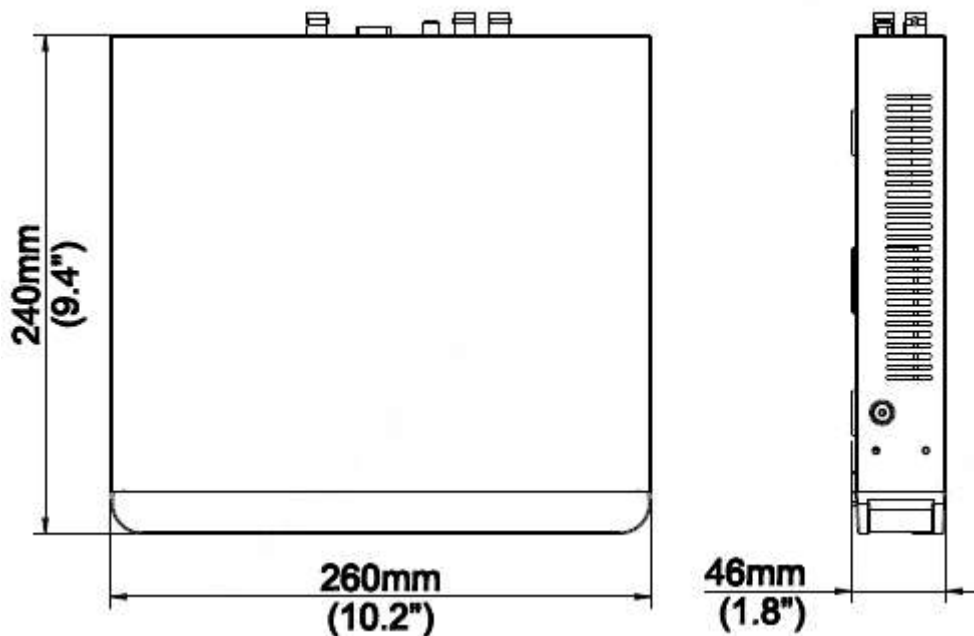
## Specifications

Model	XVR301-04Q	XVR301-08Q
Video/Audio Input		
Analog Video Input	4-ch, BNC	8-ch, BNC
IP Video Input	2-ch(only IP up to 6ch), each channel up to 4K	4-ch(only IP up to 12ch), each channel up to 4K
Supported Analog Camera Types	<b>Support AHD input:</b> 8MP@15fps(channel1) 5MP@20fps 4MP@30fps 3MP@30fps(channel1) 1080P@30fps 720P@60fps <b>Support TVI input:</b> 8MP@15fps(channel1) 5MP@20fps 4MP@30fps 3MP@20fps (channel1) 1080P@30fps 720P@60fps	<b>Support AHD input:</b> 8MP@15fps 5MP@20fps 4MP@30fps 3MP@30fps(channel1-channel2) 1080P@30fps 720P@60fps <b>Support TVI input:</b> 8MP@15fps 5MP@20fps 4MP@30fps 3MP@20fps(channel1-channel2) 1080P@30fps 720P@60fps

	<b>Support CVI input:</b> 8MP@15fps(channel1) 5MP@20fps 4MP@30fps 1080P@30fps 720P@30fps <b>Support CVBS input</b>	<b>Support CVI input:</b> 8MP@15fps 5MP@20fps 4MP@30fps 1080P@30fps 720P@30fps <b>Support CVBS input</b>
Audio Input	1-ch, RCA	
Two-way Audio	1-ch, RCA	
<b>Network</b>		
Incoming Bandwidth	48Mbps	56Mbps
Outgoing Bandwidth	60Mbps	64Mbps
Remote Users	128	
Protocols	TCP/IP, P2P, UPnP, NTP, DHCP, PPPoE	
<b>Video/Audio Output</b>		
CVBS Output	1-ch, BNC	
VGA Output	1920x1080p/60Hz, 1920x1080p/50Hz, 1600x1200/60Hz, 1280x1024/60Hz, 1280x720/60Hz, 1024x768/60Hz	
HDMI Output	3840 x 2160/30Hz, 1920x1080p/60Hz, 1920x1080p/50Hz, 1600x1200/60Hz, 1280x1024/60Hz, 1280x720/60Hz, 1024x768/60Hz	
Audio Output	1-ch, RCA	
Synchronous Playback	4-ch	8-ch
<b>Encoding</b>		
Recording Resolution	8MP Lite/5MP Lite/4MP Lite /1080P/960P/720P/960H/D1/4CIF/CIF	
Recording Frame Rate	<b>Main stream:</b> 8MP Lite@8fps(channel1) 5MP Lite@12fps 4MP Lite@15fps 3MP@15fps(channel1) 1080P@15fps 720P@30fps <b>Sub stream:</b> D1@12fps(Max)	<b>Main stream:</b> 8MP Lite@8fps 5MP Lite@12fps 4MP Lite@15fps 3MP@15fps(channel1-channel2) 1080P@15fps 720P@30fps <b>Sub stream:</b> D1@12fps(Max)
<b>Hard Disk</b>		
SATA	1 SATA interface	
Capacity	Up to 8TB for each disk (The maximum HDD capacity varies with environment temperature)	
<b>Smart</b>		

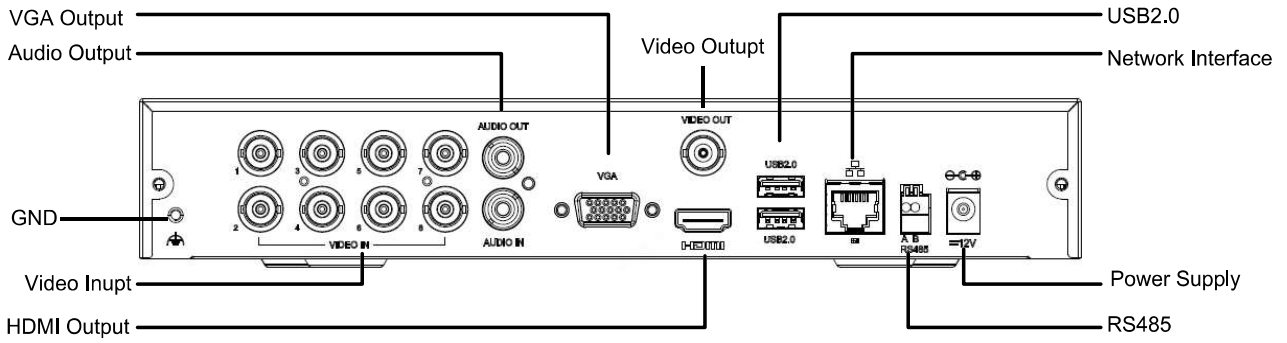
VCA Detection	1-ch Intrusion detection and cross line detection on analog camera	2-ch Intrusion detection and cross line detection on analog camera
VCA Search	Behavior search on analog camera	
External Interface		
Network Interface	1 RJ45 10M/100M self-adaptive Ethernet Interface	
USB Interface	Rear panel: 2 x USB2.0	
Serial Interface	1 x RS485	
General		
Power Supply	12V DC Power Consumption: ≤ 8 W( without HDD )	
Working Environment	-10°C ~ + 55°C ( +14°F ~ +131°F ), Humidity ≤ 90% RH(non-condensing)	
Dimensions(W×D×H)	260mm ×240mm× 46mm (10.2" × 9.4"×1.8")	
Weight ( without HDD )	≤1.1 Kg ( 2.42lb )	

## Dimensions



## Rear Panel

Take XVR301-08Q for example



**Zhejiang Uniview Technologies Co., Ltd.**

Building No.10, Wanlun Science Park, Jiangling Road 88, Binjiang District, Hangzhou, Zhejiang, China

Email: [overseasbusiness@uniview.com](mailto:overseasbusiness@uniview.com); [globalsupport@uniview.com](mailto:globalsupport@uniview.com)

<http://www.uniview.com>

©2021 Zhejiang Uniview Technologies Co., Ltd. All rights reserved.

\* Product specifications and availability are subject to change without notice.